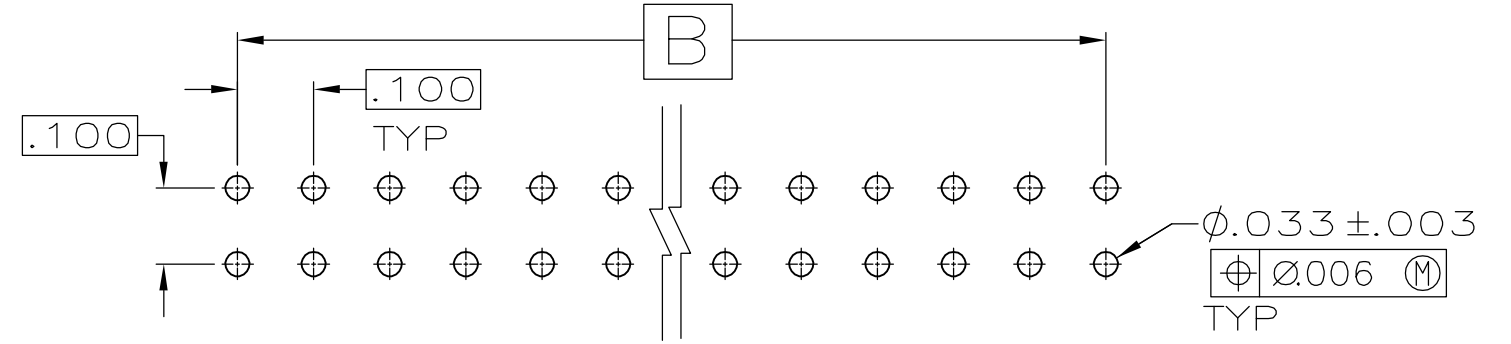
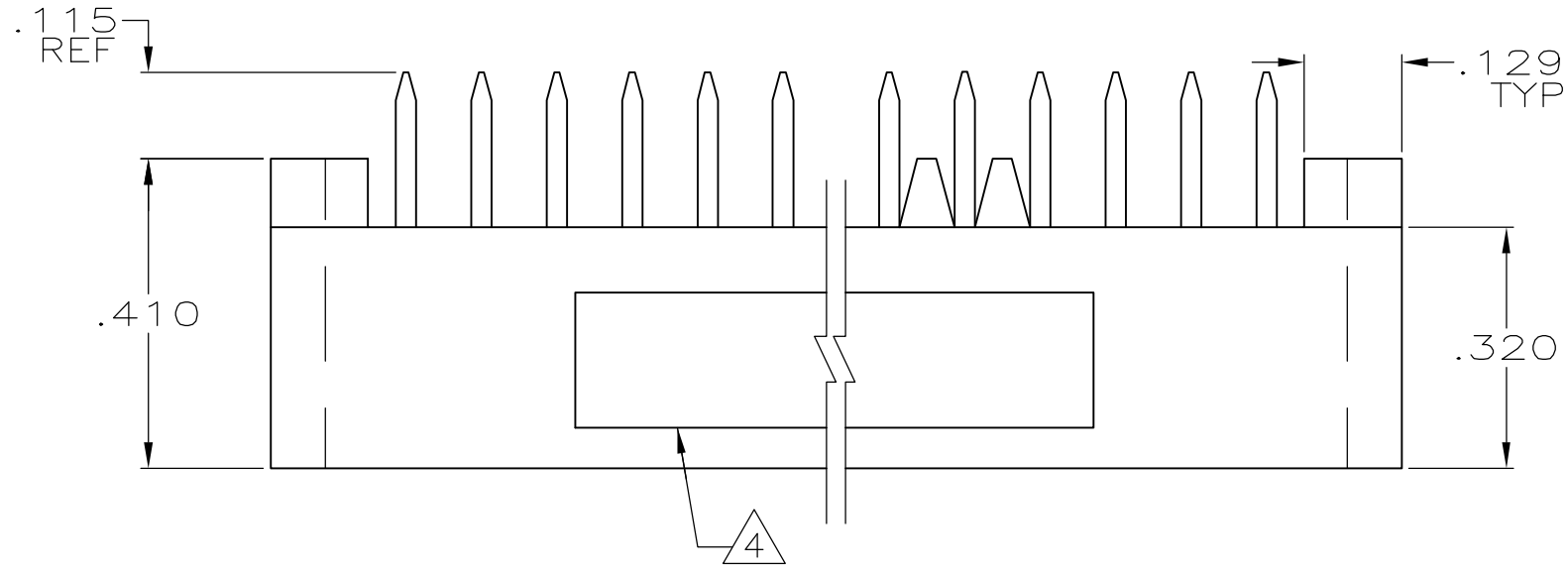
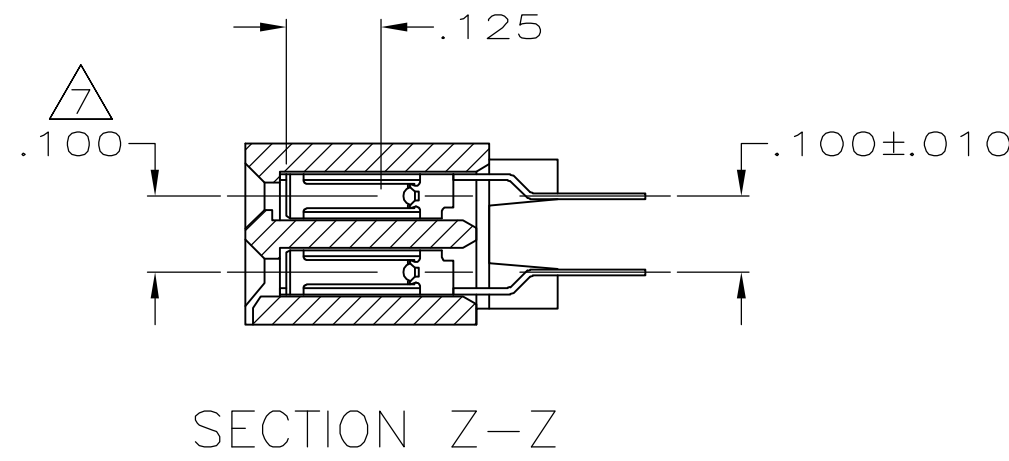
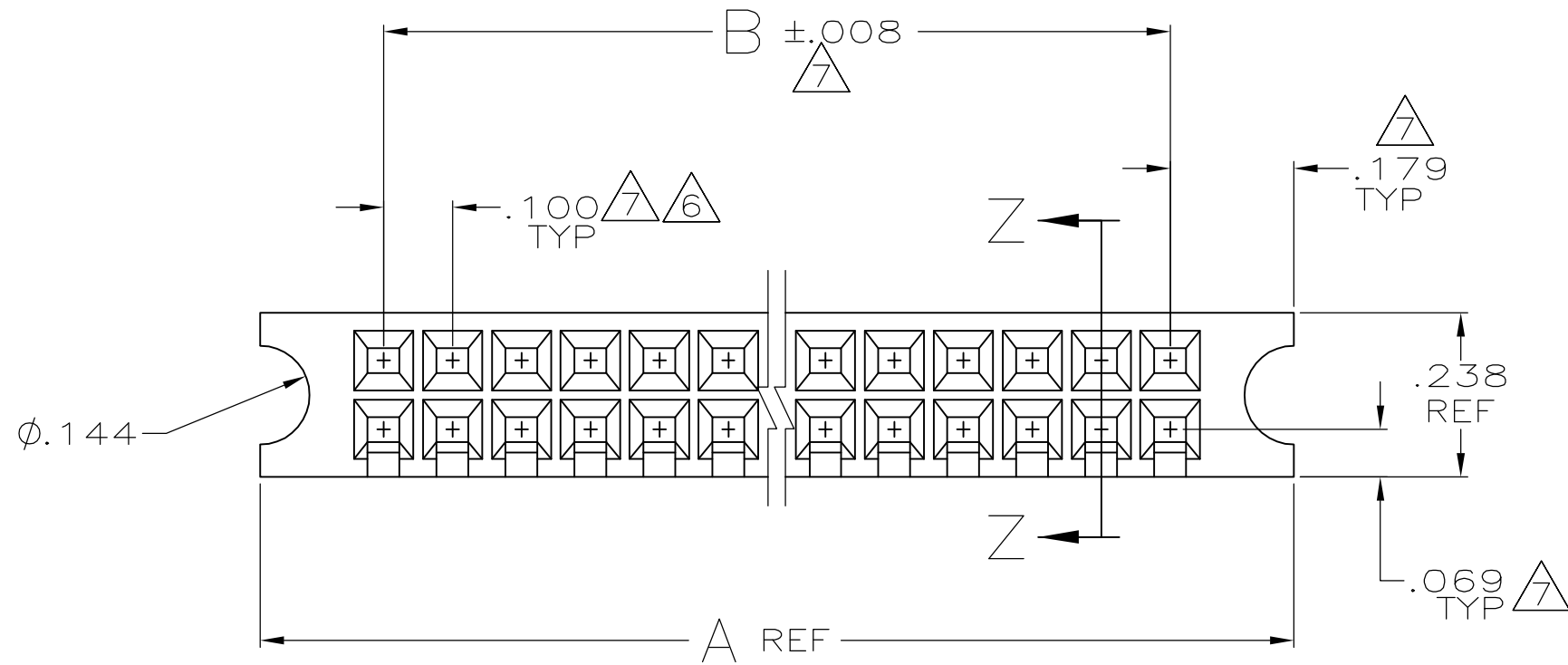


THIS DRAWING IS UNPUBLISHED. RELEASED FOR PUBLICATION  
 © COPYRIGHT BY TYCO ELECTRONICS CORPORATION. ALL RIGHTS RESERVED.

LOC	DIST	REVISIONS					
AD	00	P	LTR	DESCRIPTION	DATE	DWN	APVD
		P1		ECO-05-16253	31JAN06	MB	JO



RECOMMENDED P.C. BD. LAYOUT



10	.500	.858	12	11	6-534972-5
	.700	1.058	16	11	6-534972-4
	7.900	8.258	160	11	8 6-534972-3
	6.900	7.258	140	11	8 6-534972-2
	6.400	6.758	130	11	8 6-534972-1
	5.900	6.258	120	11	6-534972-0
	5.100	5.458	104	11	8 5-534972-9
	4.900	5.258	100	11	5-534972-8
	4.400	4.758	90	11	5-534972-7
	3.900	4.258	80	11	5-534972-6
	3.400	3.758	70	11	5-534972-5
2.900	3.258	60	11	5-534972-4	
2.400	2.758	50	11	5-534972-3	
1.900	2.258	40	11	5-534972-2	
1.400	1.758	30	11	5-534972-1	
9	.500	.858	12	11	1-534972-5
	.700	1.058	16	11	1-534972-4
	7.900	8.258	160	8	1-534972-3
	6.900	7.258	140	8	1-534972-2
	6.400	6.758	130	8	1-534972-1
	5.900	6.258	120	11	1-534972-0
	5.100	5.458	104	8	534972-9
	4.900	5.258	100	11	534972-8
	4.400	4.758	90	11	534972-7
	3.900	4.258	80	11	534972-6
	3.400	3.758	70	11	534972-5
2.900	3.258	60	11	534972-4	
2.400	2.758	50	11	534972-3	
1.900	2.258	40	11	534972-2	
1.400	1.758	30	11	534972-1	
3	.500	.858	12	11	534972-5
	.700	1.058	16	11	534972-4
	7.900	8.258	160	8	534972-3
	6.900	7.258	140	8	534972-2
	6.400	6.758	130	8	534972-1
	5.900	6.258	120	11	534972-0
	5.100	5.458	104	11	534972-9
	4.900	5.258	100	11	534972-8
	4.400	4.758	90	11	534972-7
	3.900	4.258	80	11	534972-6
	3.400	3.758	70	11	534972-5
2.900	3.258	60	11	534972-4	
2.400	2.758	50	11	534972-3	
1.900	2.258	40	11	534972-2	
1.400	1.758	30	11	534972-1	
FINISH	B	A	NO OF POSN	PART NUMBER	

- 1 HSG. POLYPHENYLENE SULFIDE.
- 2 CONTACT: PHOS BRONZE.
- 3 DUPLEX PLATED: .000030 GOLD ON CONTACT AREA ONLY, .000050-.000100 BRIGHT TIN-LEAD ON SOLDER TINES ALL OVER .000050 NICKEL ENTIRE CONTACT.
- 4 "AMP", "CSA", DATE CODE, AND PART NUMBER MARKED WITH .062±.015 HIGH CHARACTERS. THE ORDER AND LOCATION IS OPTIONAL.
- 5 POINT OF MEASUREMENT FOR PLATING THICKNESS INSIDE BEAMS.
- 6 TOLERANCE NON-CUMULATIVE.
- 7 THESE DIMENSIONS PERTAIN TO CAVITY CENTERLINES NOT THE CONTACT LOCATIONS.
- 8 OBSOLETE PART NUMBER.
- 9 PRELIMINARY PART - NOT RELEASED FOR PRODUCTION
- 10 DUPLEX PLATED: .000030 GOLD ON CONTACT AREA ONLY, .000050-.000100 MATTE TIN ON SOLDER TINES ALL OVER .000050 NICKEL ENTIRE CONTACT.
- 11 ROHS 2002/95/EC COMPLIANT.

THIS DRAWING IS A CONTROLLED DOCUMENT.

DIMENSIONS: INCHES	TOLERANCES UNLESS OTHERWISE SPECIFIED:	DWN M. SMITH 6-25-87	Tyco Electronics Corporation Harrisburg, PA 17105-3608		
		CHK D. SARVER 7-8-87			
		APVD D. SARVER 7-8-87	RECEPTACLE ASSY, VERTICAL MT, MOD II, .100 x .100CL WITH MTG EARS, SHORT-POINT		
MATERIAL	FINISH	SIZE	CAGE CODE	DRAWING NO	RESTRICTED TO
1 2	SEE TABLE	A2	00779	C-534972	-
CUSTOMER DRAWING		SCALE	SHEET	REV	
		4:1	1 of 1	P1	